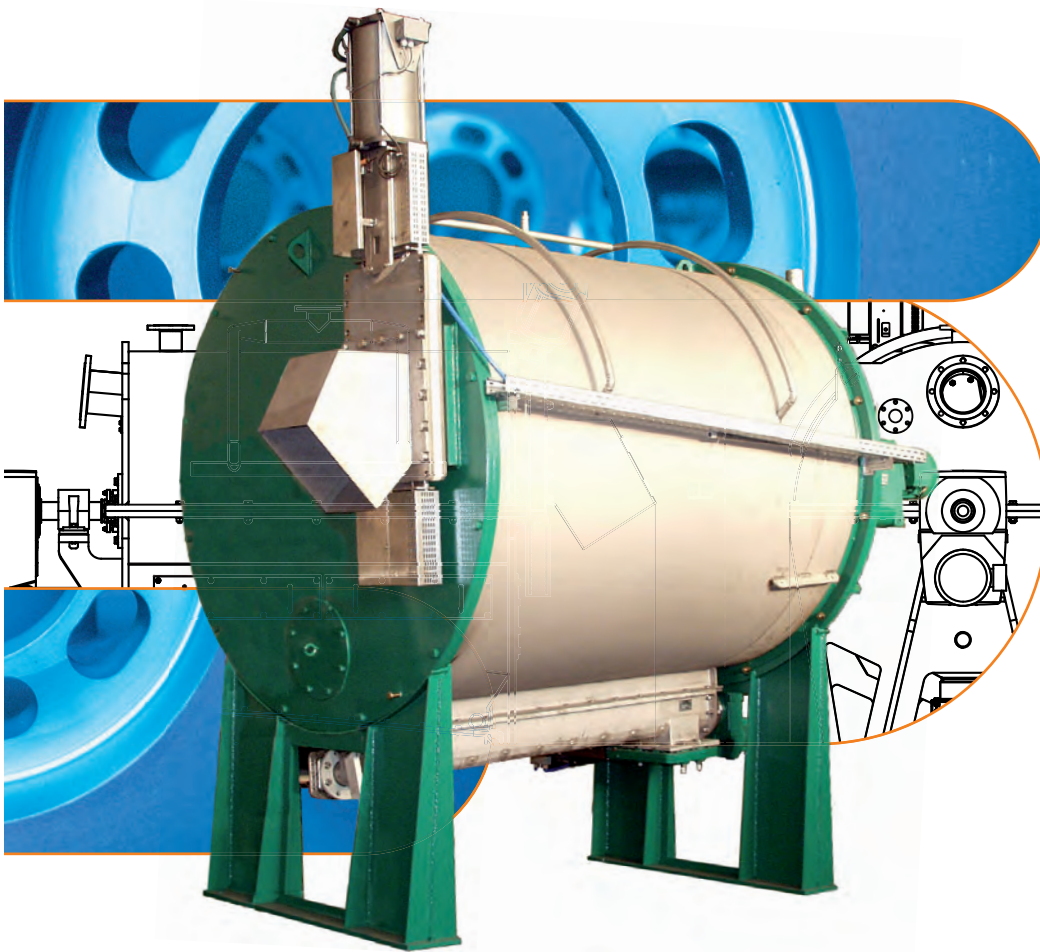


Mechanical Engineering

Multisorters MS

for separation
of impurities
from suspensions



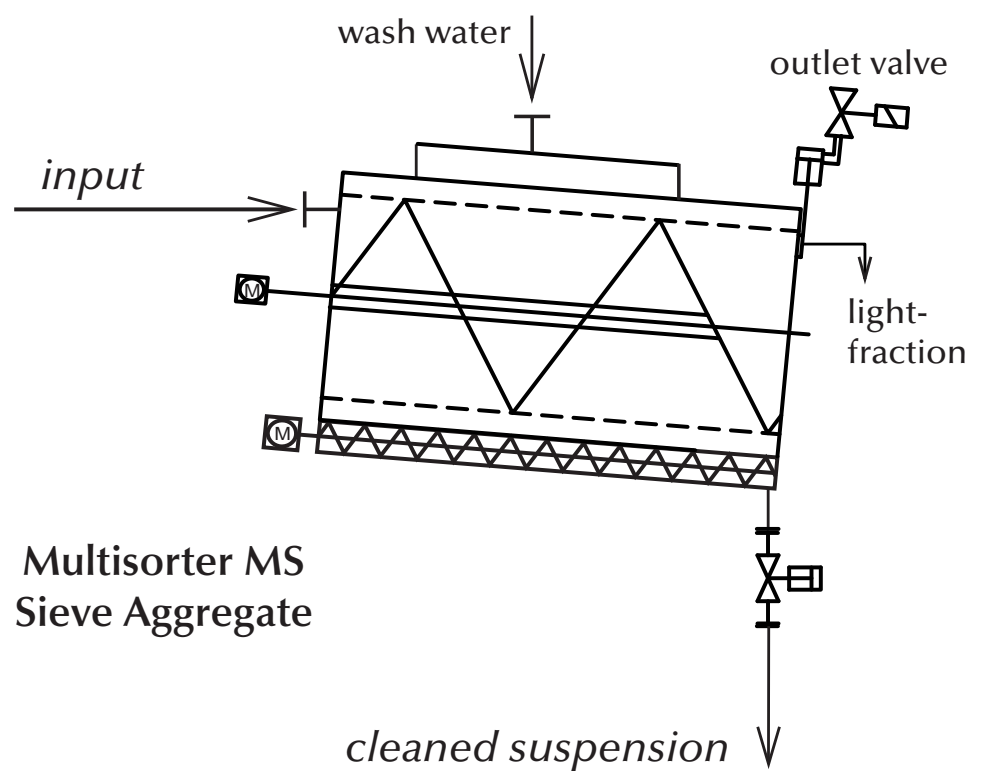
Maschinenbau Lohse GmbH
Unteres Paradies 63 · 89522 Heidenheim
phone +49 7321 755-79
sales@lohse-gmbh.de
www.lohse-gmbh.de

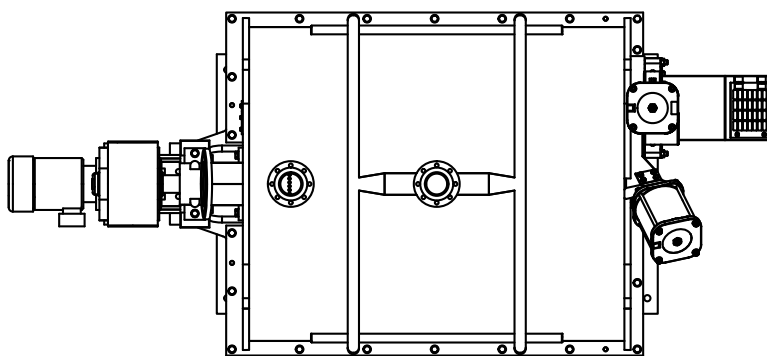
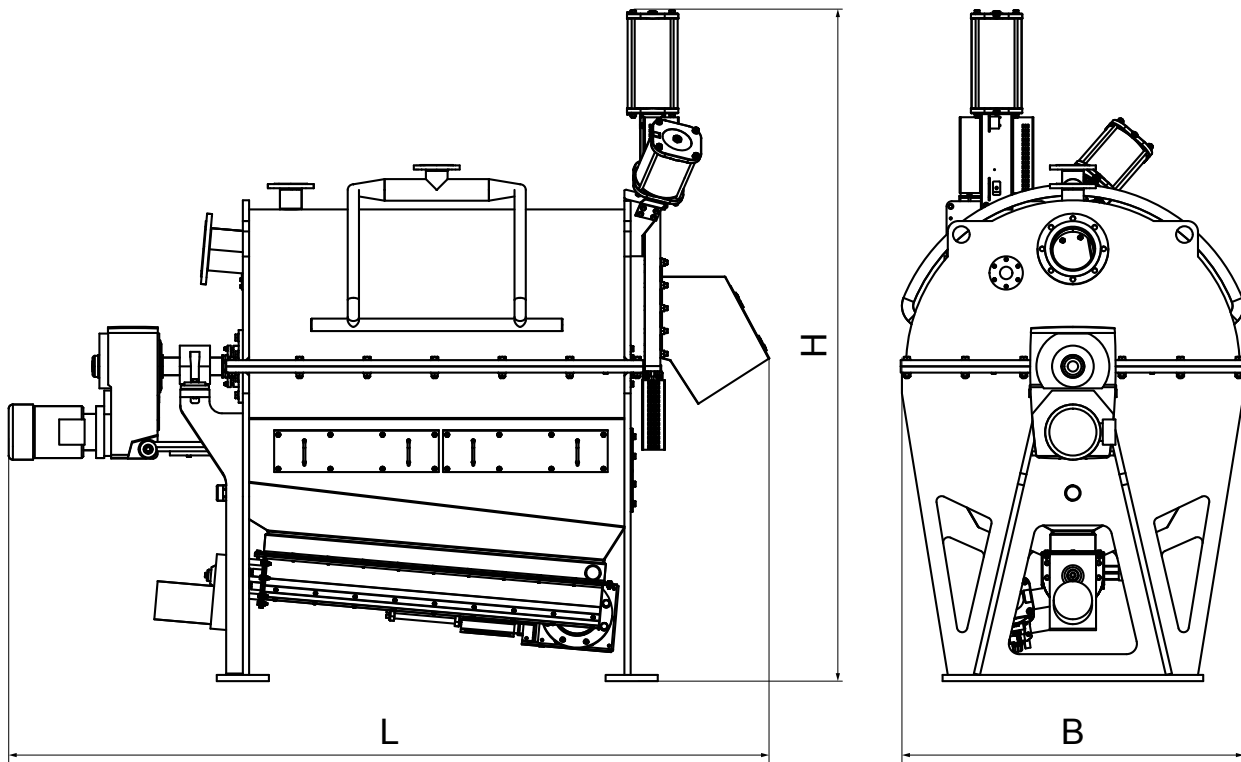
Application

Multisorters are used to separate lightweight foreign materials from a suspension consisting of recycled paper or organic waste in water. In the multisorter the suspension is filtered by means of a vertical screen; the foreign materials are discharged separately. In addition, the foreign materials can be rinsed very effectively.

Design

- closed tank
- fixed screen plate
- slowly rotating cleaning arms for cleaning the screen plate
- spiral conveyor for preventing sedimentation
- 2-part housing for better maintenance and assembly capability
- replacement of the screen without removing the rotor





size		MS3	MS6	MS10	MS14
usable volume	m ³	3	6.5	9.6	13.8
diameter of sieve	mm	1350	1800	2200	2500
length L	mm	3650	4400	4800	5260
width B	mm	1660	2170	2420	2720
overall height H	mm	3250	4700	5150	5320
drive motor	kW	7.5	18.5	30	37
tare weight	kg	3800	4800	5600	7000

