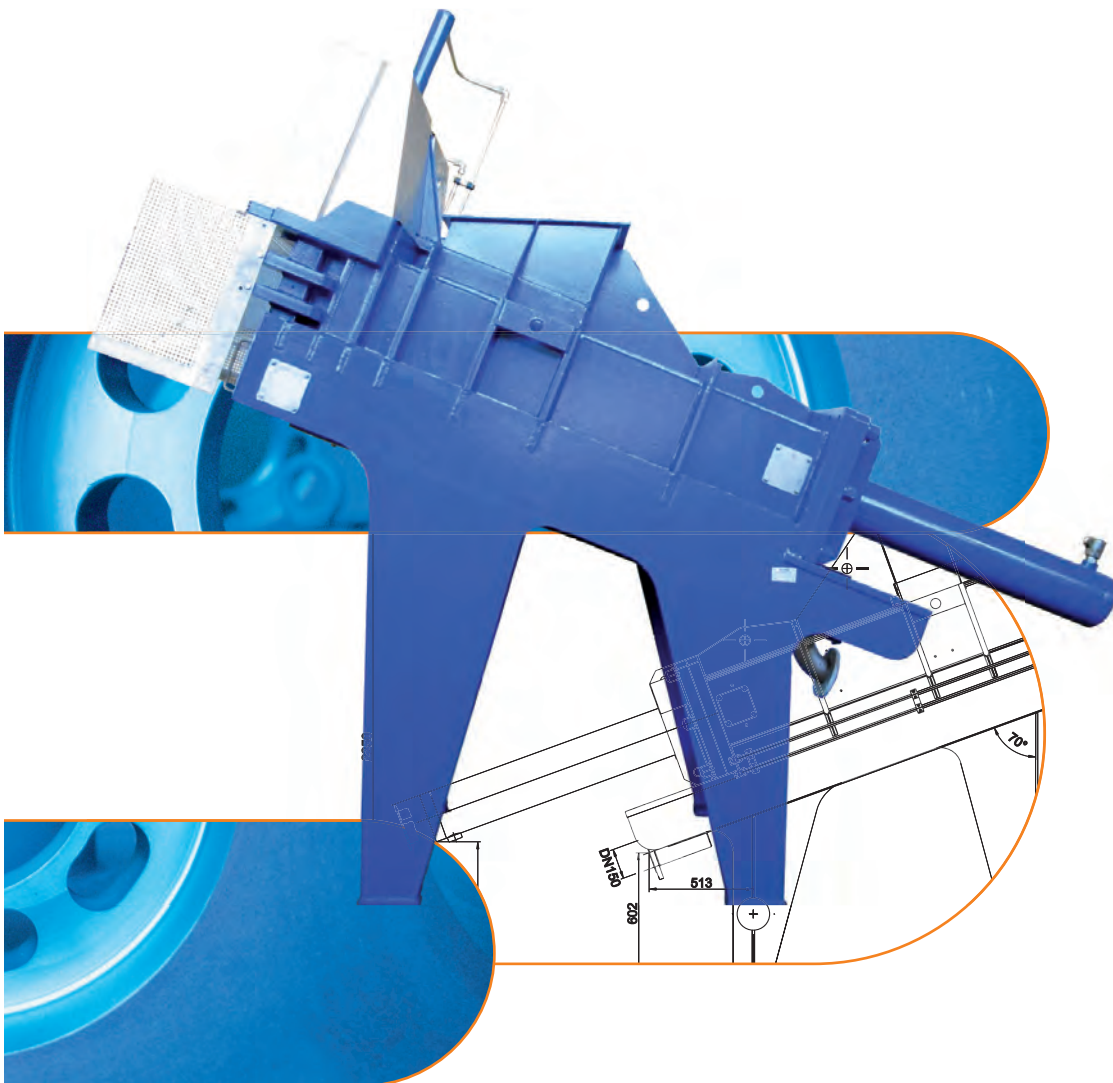


Mechanical Engineering

# Dewatering Presses



Maschinenbau Lohse GmbH  
Unteres Paradies 63 · 89522 Heidenheim  
phone +49 7321 755-79  
sales@lohse-gmbh.de  
www.lohse-gmbh.de

## Application and function

Dewatering press for dewatering reject from the waste paper pulpers. Plastic or metal wires are cut at the same time when dewatering process takes place. The pressed waste will be set out by a valve.

Its simple structure allows uninterrupted operation. Low follow-on costs due to few and simple replaceable wear parts.

technical data		LP03	LP07
cutting power	[kN]	700	700
spec. pressure	[bar]	58	29
dimension of punch area	[mm]	400 x 300	800 x 300
opening of inlet	[mm]	400 x 600	800 x 600
required power hydraulic unit	[kW]	9.2	9.2
motor	[kW]	11	11
oil pressure	[bar]	220	220
weight	[kg]	4000	4200
throughput	[m <sup>3</sup> /h]	3 – 4	7
dry content	[%]	40 – 60	40 – 50

