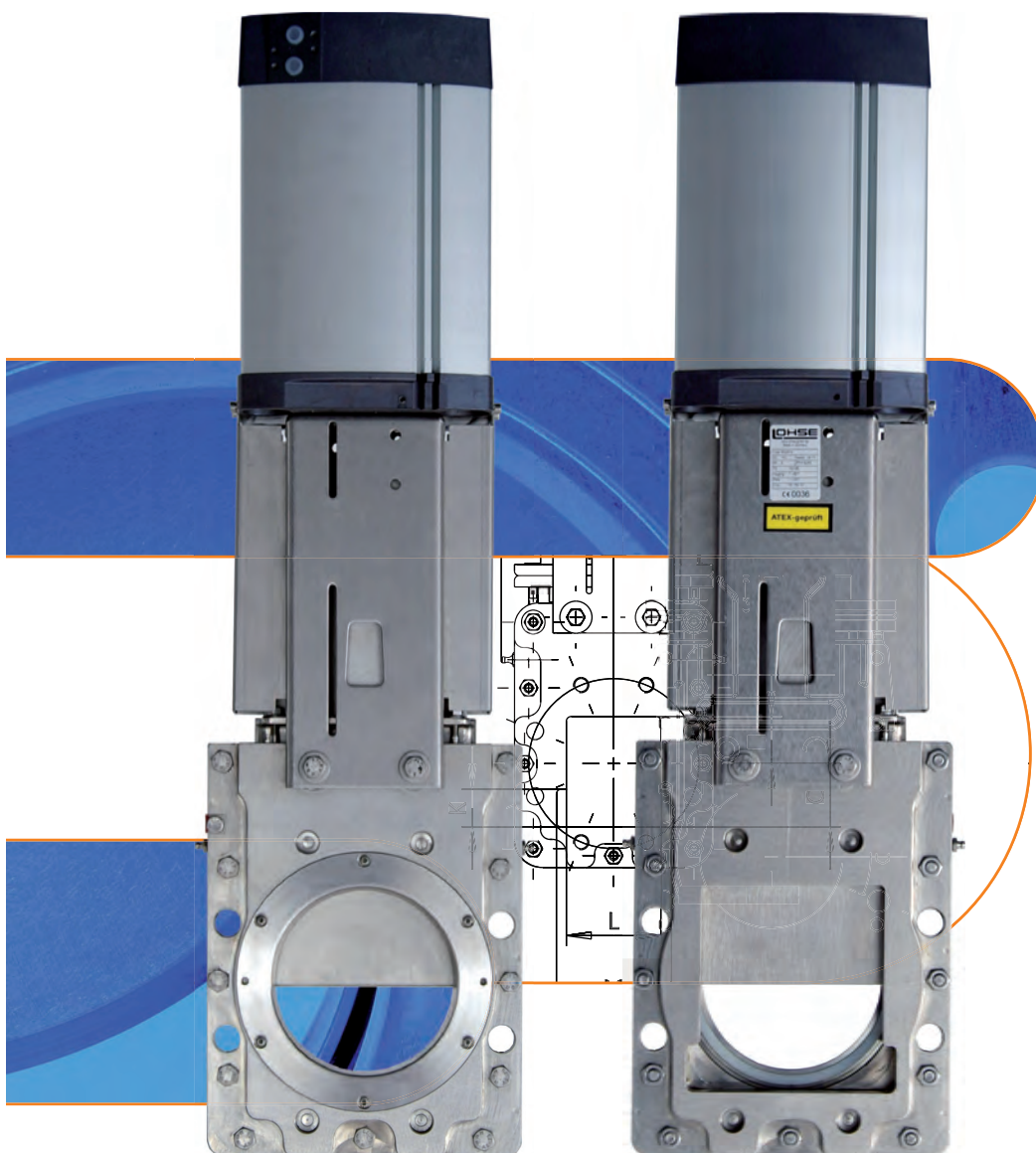


Valves of stainless steel

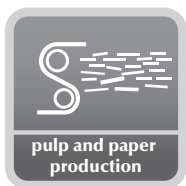
Bulk- and Reject-Valves

RQS/RQSV



MARTIN LOHSE GmbH
Unteres Paradies 63 · D-89522 Heidenheim
phone +49 7321 755-42
sales@lohse-gmbh.de
www.lohse-gmbh.de

Applications



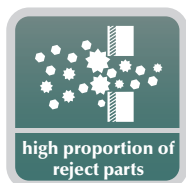
General usage

- media with reject fraction (e.g. nails and staples)
- coarse-grained media
- granulates
- powders
- temperature range to 80 °C
- see table for permitted operating pressure

Locations

- extraction devices for heavy soiling applications
- dumping and emptying devices for heavy soiling applications
- cleaning machines

Media



Operating elements – the LOHSE modular system

- Hns handwheel drive with non-rising stem
 P pneumatic cylinder

Watertight

Leak test according to DIN EN 12266-02:2012-04
 Table A5, test medium liquid, leakage rate A

Description

Valves of stainless steel with round inlet and square outlet.

Depending on the design or rather the application there is in the inlet of the valve a wear ring of stainless steel or a sealing ring of rubber.

In the case if a wear ring of stainless steel, the seating is brought about via a sealing ring of either PE, PTFE or bronze.

In the case of a sealing ring of rubber (SBR), the seating is effected by means of an inserted sealing lip. The sealing ring of rubber also takes in the seating of the flange connection on the inlet side.

The guides of broze are positioned in such a way that the medium passing through cannot build up in these. At the end of the guides there is a lager free area so that the medium doesn't pressed together inside the valve. To enabel a good discharge out of the valve, a square outlet has been selected.

Materials

- housing 1.4571
- valve plate 1.4571
- flow sealing SBR, PE, PTFE or CuSn 12
- slide borders CuAL 10 Ni5Fe4
- wear ring 1.4571, SBR / 1.4571
- slide blocks CuSn6
- stuffing box gland 1.4307
- packing assembly Aramid / EPDM
- bracket 1.4301
- max. operating pressure

DN 100 – 200	10 bar
DN 250 – 300	8 bar
DN 400 – 600	6 bar
- max. operating temperature with

sealing ring of PE	80° C
wear ring of SBR	80° C
wear ring with bronze slide ring	120° C
sealing ring of PTFE	200° C

Type RQSV similar, but with hardened wear ring and valve plate.

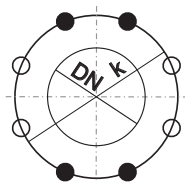
Flange bores for LOHSE RQS valves with metric tread

Inlet side

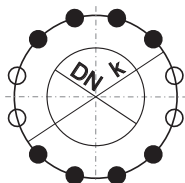
according DIN EN 1092-1, PN 10

Outlet side

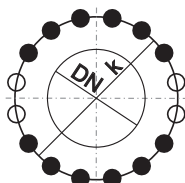
according LOHSE standard



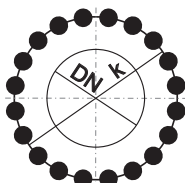
DN 100-200



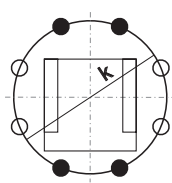
DN 250-300



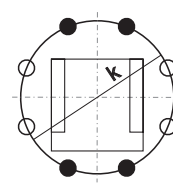
DN 400



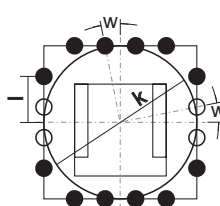
DN 500-600



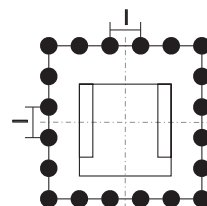
DN 100-200



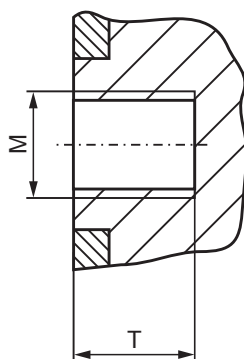
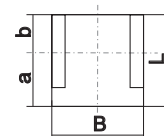
DN 250-300



DN 400



DN 500-600



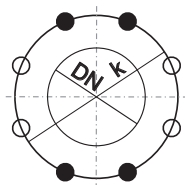
- Z = total number of holes
- Z1 = number of joint-holes
- Z2 = number of through-going bores
- T = usable depth of thread

DN [mm]	K [mm]	Z	M	T [mm]	Z1	Z2	l [mm]	w [°]	L [mm]	B [mm]	a [mm]	b [mm]
100	180	8	M16	13	4	4			117	121	67	50
150	240	8	M20	18	4	4			163	169	88	75
200	295	8	M20	20	4	4			217	218	117	100
250	350	12 resp. 8	M20	22	8 resp. 4	4			267	273	142	125
300	400	12 resp. 8	M20	22	8 resp. 4	4			317	335	167	150
400	515	16	M24	24	12	4	170	11.25	418	439	218	200
500	620	20	M24	34	20	0	121		520	540	270	250
600	725	20	M27	35	20	0	143		627	642	327	300

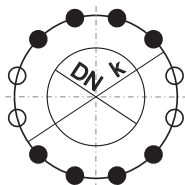
Flange bores for LOHSE RQS valves with UNC thread

Inlet side
according ANSI B16.5 Class 150:

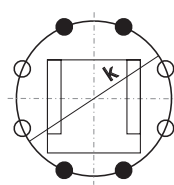
Outlet side
according Standard



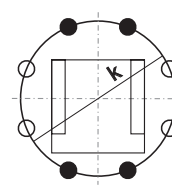
DN 100-200
(4"-8")



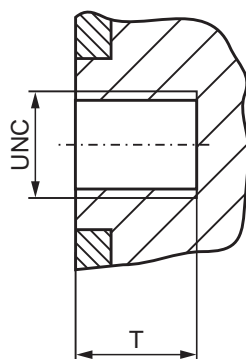
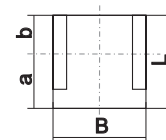
DN 250
(10")



DN 100-200
(4"-8")



DN 250
(10")

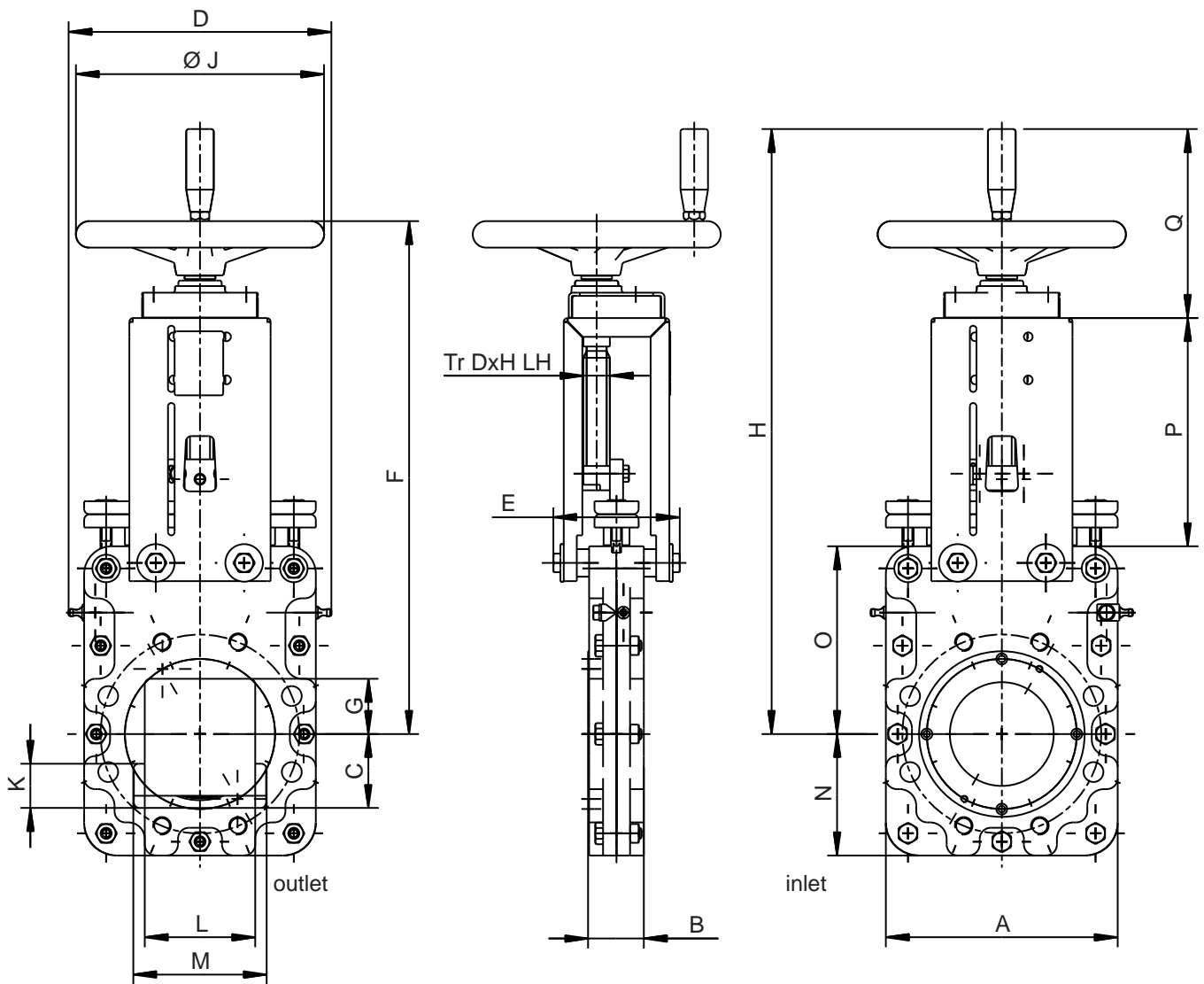


- Z = total number of holes
- Z1 = number of joint-holes
- Z2 = number of through-going bores
- T = usable depth of thread

DN [mm]	DN [inch]	K [inch]	Z	UNC [inch]	T [inch]	Z1	Z2	L [mm]	B [mm]	a [mm]	b [mm]
100	3 1/2	7	8	3/4	1/2	4	4	117	121	67	50
150	6	9 1/2	8	3/4	11/16	4	4	163	169	88	75
200	8	11 3/4	8	3/4	3/4	4	4	217	218	117	100
250	10	14 1/4	12 resp. 8	7/8	7/8	8 resp. 4	4	267	273	142	125

Reject-valve of stainless steel
 circular inlet, square outlet
 handwheel drive with non-rising stem

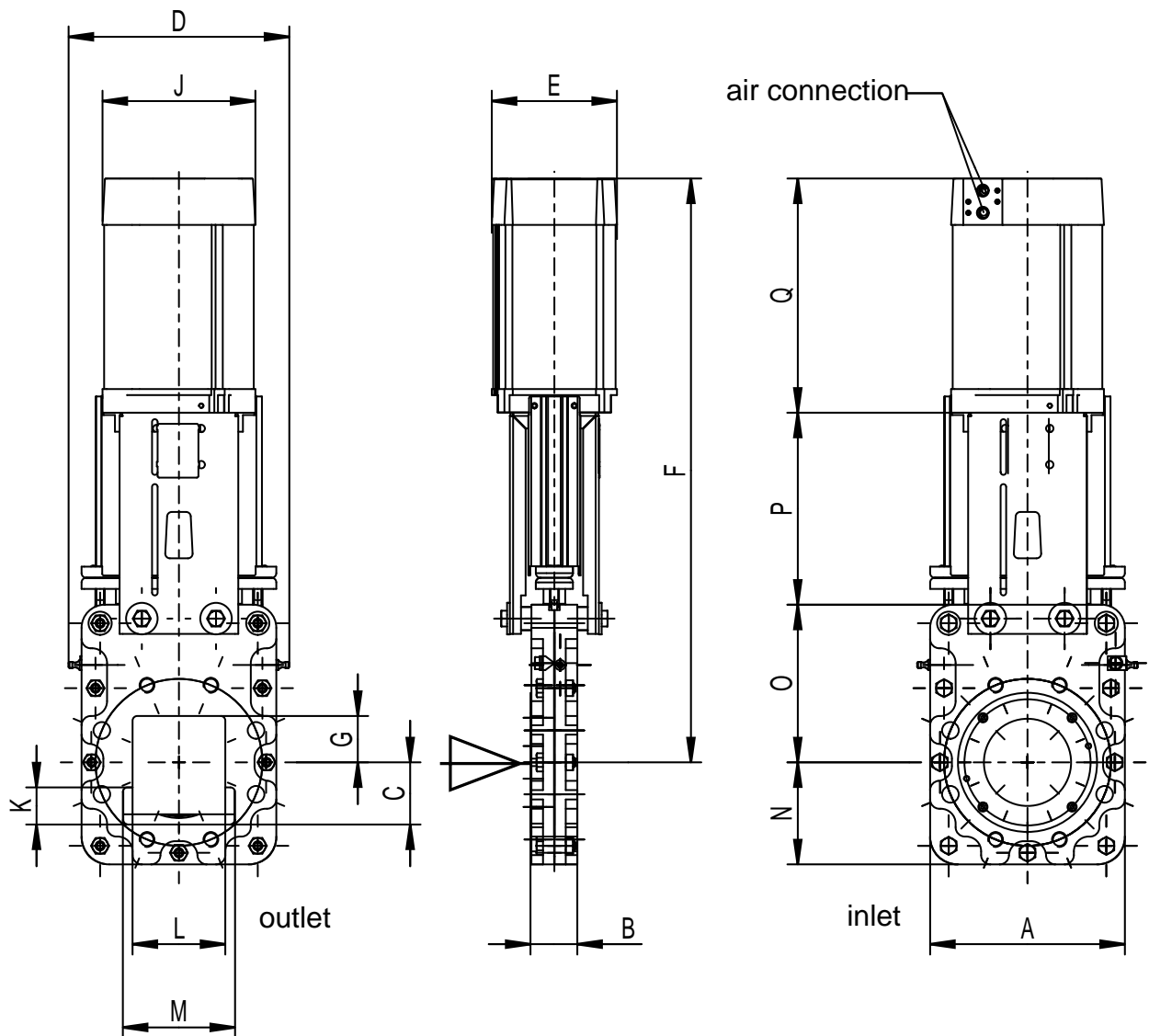
Type RQSVHns similar, but with hardened wear ring and valve plate.



DN	PS [bar]	A	B	C	D	E	F	G	H	Ø J	K	L	M	N	O	P	Q	Tr D x H LH
100	8	210	50,5	67	238	115	465	50	548	225	40	100	121	110	170	207	171	24 x 5
150	8	255	66	88	283	115	540	75	624	255	36	146	167	140	190	263	171	24 x 5
200	8	320	66	117	348	139	636	100	720	280	40	185	215	160	225	313	98	24 x 5

Dimensions in mm, flange bores to on request.
 Further sizes on request.

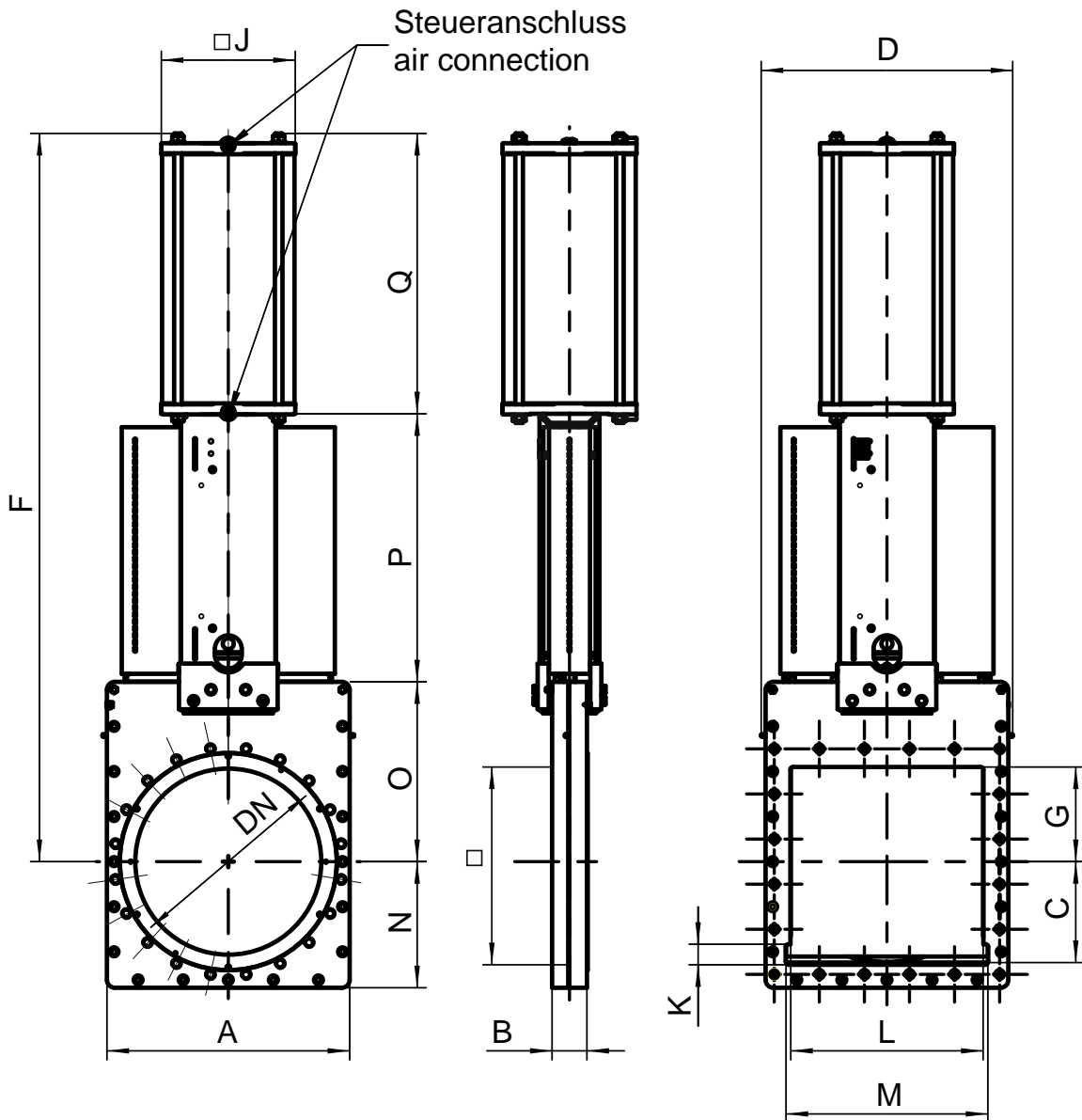
Reject valve of stainless steel
 circular inlet, square outlet
 pneumatic cylinder and protection guard
 Type RQSVP/G similar, but with hardened wear ring and valve plate.



DN	PS [bar]	A	B	C	D	E	F	G	J	K	L	M	N	O	P	Q	cyl Ø	air connection	control pressure
100	8	210	51	67	238	145	740	50	165	40	100	121	110	170	207	253	125	G 1/4"	6 bar
150	8	255	66	88	283	178	763	75	204	36	146	167	140	190	263	310	160	G 1/4"	6 bar
200	8	320	66	117	348	215	926	100	244	40	185	215	160	225	313	388	200	G 1/2"	6 bar
250	8	352	80	142	352	215	1065	125	244	50	241	273	195	270	362	433	200	G 1/2"	6 bar
300	4	460	75	167	488	242	1274	150	283	65	304	334	235	340	419	515	230	G 1/2"	6 bar

Dimensions in mm, flange bores to on request; air connection acc.VDI/VDE 3845 (NAMUR).
 Further sizes on request.

Reject valve of stainless steel
 circular inlet, square outlet
 pneumatic cylinder and protection guard
 Type RQSVP/G similar, but with hardened wear ring and valve plate.



DN	PS [bar]	A	B	C	D	F	G	J	K	L	M	N	O	P	Q	cyl Ø	air con- nection	control pressure
350	2	510	92	192	510	1445	175	318	65	354	390	260	365	508	572	300	G 1/2"	6 bar
400	2	570	92	218	598	1639	200	318	65	405	435	285	410	608	621	300	G 1/2"	6 bar
500	2	680	112	270	708	2024	250	425	65	510	540	345	510	725	789	400	G 3/4"	6 bar
600	2	770	111	327	798	2309	300	425	65	610	640	400	570	850	889	400	G 3/4"	6 bar

Dimensions in mm, flange bores to on request.
 Further sizes on request.

Germany + Switzerland

MARTIN LOHSE GmbH
Unteres Paradies 63
89522 Heidenheim
Phone: +49 7321 755-0
sales@lohse-gmbh.de
www.lohse-gmbh.de

Australia, New Zealand, Indonesia, Singapore, Malaysia

P.T. VOITH PAPER
Jl. Permata V Lot EE - 1
Kawasan Industri KIIC
Karawang 41361, INDONESIA
Phone : +62 267 419 719
Fax : +62 267 419 717

Austria (Papier- + Zellstoffindustrie, Abwasser + Kläranlagen) + CZ, SK, SLO, SRB, HR, H

Peter Rejter
Handel Mazzetti-Str. 85
3100 St. Pölten
Phone: +43 2742 77366
Fax: +43 2742 77366
office@industriearmaturen.at

Austria

Klinger Gebetsroither GmbH & Co KG

Am Kanal 8-10
2352 Gumpoldskirchen
Phone: +43 2252 60 71 00 3029
Fax: +43 2252 60 71 00 3010
gerhard.praxmarer@gebetsroither.at
www.gebetsroither.at

Belgium

Hanwel Belgium N.V.
Winninglaan 15
9140 Temse
Phone: +32 3 7110353
Fax: + 32 3 7110579
info@hanwel.be
www.hanwel.be

Chile

INTERTECH
Prat 116, Of 31
Curicó, Chile
phone +56.075.322033
www.inter-tech.cl
n.flores@inter-tech.cl

People's Rep. Of China

Shanghai Fier Mechanical Co. LTD
Room B4, 15/F HuaFu Bldg.
No. 585 LongHua xi Rd.
ShangHai, China 200232
Phone: +86 21 54591038
Fax: +86 21 54240616
MP: 13611665381
shfier@163.com
www.fier.com.cn

Denmark

Uni-Valve A/S
Sydvestvej 138 – 140
2600 Glostrup
Phone: +45 43 438200
Fax: +45 43 437475
mail@uni-valve.com
www.uni-valve.com

Finland

KLINGER Finland Oy
Tinankuja 3
02430 Masala
Phone: +358 10 4001011
info@klinger.fi
www.klinger.fi

France, MA, TN, DZ

T.N.P.
30 Boussegré
58140 Lormes
Phone: +33 1 559711-11
Fax: +33 1 48835207
contact@tnp.fr
www.tnp.fr

Great Britain

Voith Turbo Ltd.
6 Beddington Farm Road
Croydon, Surrey CRO, 4XB
Phone: +44 208 6673013
Fax: +44 208 6670403
matthew.healy@voith.com

Greece

Niko Mikopoulos, BSc.
Metron Str. 28
17123 Nea Smyrni-Athens
Phone: +30 6 98 305 10 70
n.mikopoulos@nm-bc.com

India

Antrieb Technik Private Limited
59 (old 359) Sidco Industrial Estate
Ambattur
Chennai-600 098
Tamilnadu / INDIA
Phone: +91 44 262-58303
Fax: +91 44 2819-3718
antrieb.technik@gmail.com

Israel

P.B.A Wiesner Agencies Ltd.
P. O. Box 4622
Petach-Tikva 49277
Phone: +972 3 9052111
Fax: +972 3 9052110
ofra@pba.co.il

Italy

Techno Paper S.R.L.
Viale Certosa 269
20151 Milano (MI)
Phone: +39 02 78627750
Fax: +39 02 45471638
info@techno-paper.com
www.techno-paper.com

Japan

Voith IHI Paper Technology Co.Ltd.
River City M-SQUARE 7F
2-1-6 Tsukuda, Chuo-ku
1040051 Tokyo
Phone: +81 3 6221 3108
Fax: +81 3 6221 3126

Korea

C.S-Automation Co., Ltd. (Customer Satisfaction Automation)
#804 Sejung Technovalley
279-5 Songjeong-Dong
Heungdeok-Gu
Cheongju-Si
South Korea. 361-290
Phone: +82 43 276 1332
Fax: +82 43 278 1332
changseol@korea.com

Netherlands

Hanwel B. V.
Jan Tinbergenstraat 209
7559 SP Hengelo
The Netherlands
Phone: +31 74 2650000
Fax: +31 74 2650001
verkoop@hanwel.com
www.hanwel.com

Norway

KS Norge AS
Holtbråtveien 69
1449 Drøbak
Phone: +47 917 19995
firmapost@ksb.com
www.ksb.com/en-no

Philippines

R. Dan and Co., Inc.
Lot 6-9 Block 5 Greenway Business
Park
Bulihan, Silang,
Cavite Philippines 4118
Phone: +63 960 690 0244
ester.poe@robertdan.com.ph
www.robertdan.com.ph

Poland

Waldemar Kulicki
ul. Heweliusza 37/4
87-148 Papowo Toruńskie
Phone: +48 509 46 64 25
waldemar-kulicki@wp.pl
www.wkulicki.eu

Rep. of South Africa

Voith Turbo (Pty) Ltd
P.O. Box 13171
Witfield, 1467
Gauteng, SOUTH AFRICA
Phone: +27 11 418 4000
Fax: +27 11 418 4080
info.vtza@voith.com
www.rsa.voithturbo.com

Spain, Portugal

CELPAP EQUIPOS, S.L.
C/Amposta, 14-18
08174 Sant Cugat del Vallés
(Barcelona)
Phone +34 93 415 18 75
celpap@celpap.com
www.celpap.com

Sweden

PA-Ventiler AB
Sagbäcksvägen 3B
43736 Lindome
Phone: +46 31 992500
Fax: +46 31 992503
info@paventiler.se
www.paventiler.se

Switzerland

dampfEXPERTE GmbH
Häsiweg 33
5018 Erlinsbach
Phone: +41 62 5448090
roger.fehr@dampfexperte.ch
www.dampfexperte.ch

Taiwan

E-Chen Engineering Co., Ltd.
3F-3, No. 151, Sec. 4,
Hsin-Yi Road,
Taipei, Taiwan, R.O.C.
Phone: +886 22 7056185
Fax: +886 22 7045967
echen123@ms15.hinet.net

Thailand

Weston Myer Ltd.
8 Soi Seri-Thai 58
Seri-Thai Road
10510 Minburi Bangkok
Phone: +66 2 3745869
Fax: +66 2 375-1179
comm1@westonmyer.com

Turkey

Sanrep Kağıt San. ve Tic. Ltd. Şti.
Altiyol, Kuşdili Caddesi No:19/7
H.Fazlıoğlu İş Merkezi
34714 Kadıköy – İSTANBUL
Phone: +90 216 345 40 48
Fax: +90 216 330 73 12
sanrep@sanrep.com
www.sanrep.com

USA, Canada, Mexico

Voith Paper Inc.
2200 N. Roemer Rd.
Appleton, WI 54912-2237
Phone: +1 920 – 358 – 2396
Fax: +1 920 – 731 – 5126
VPAWSpareParts@voith.com